

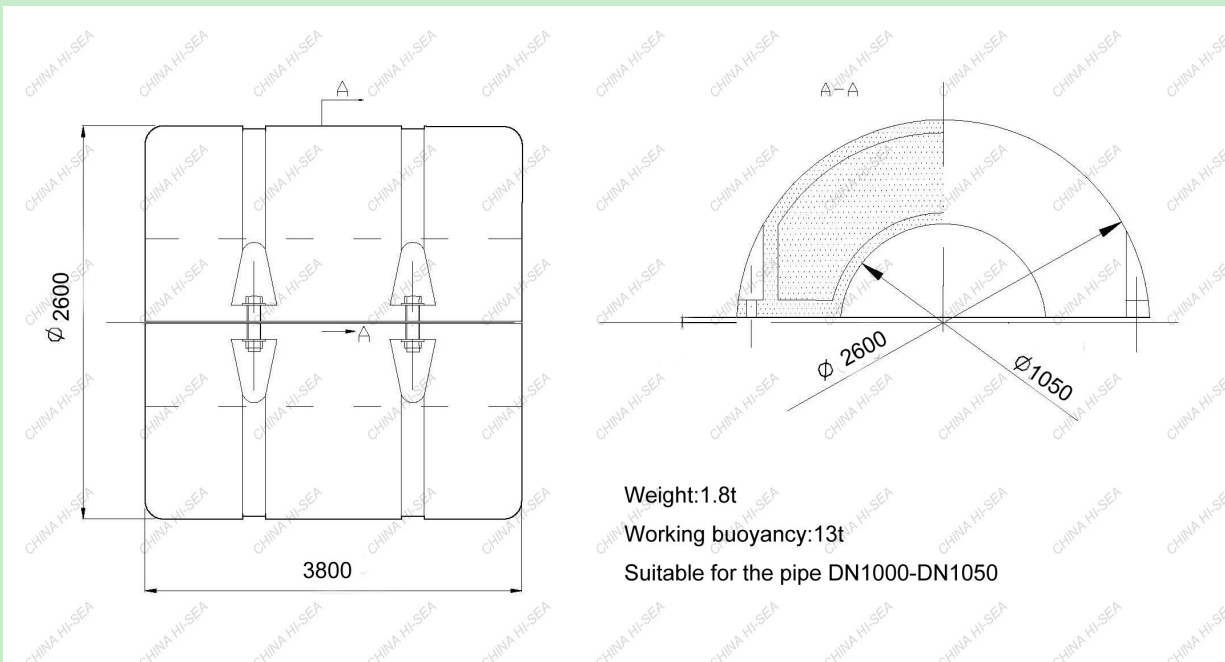
Φ1000-Φ1050 Pipe Floats



Technical Specifications

Inner diameter of steel pipeline	Inner diameter of rubber float	Outer diameter of rubber float	Length of rubber float	Weight	Working buoyancy
φ1050	φ1050	φ2600	3800	1.8t	13t
φ1000					

Note: We can supply the floaters according to the client's requirements.



Φ 1000- Φ 1050 Pipe Floats Drawing

Chongqing Hi-Sea Marine Equipment Import&Export Co.,Ltd.

Address: 20-5, General Chamber of Commerce Building, No.2 Hongjin Street, Yubei District, Chongqing, China

Email: machine@hiseamarine.com mitang0708@foxmail.com **Skype:** cncqtang **QQ:** 2278612160

TEL: +86-23-67032301 **FAX:** +86-23-67955123 **Mobile:** +86-18108354610 **Post Code:** 401147

Website: www.hiseamarine.com www.chinahisea.com