

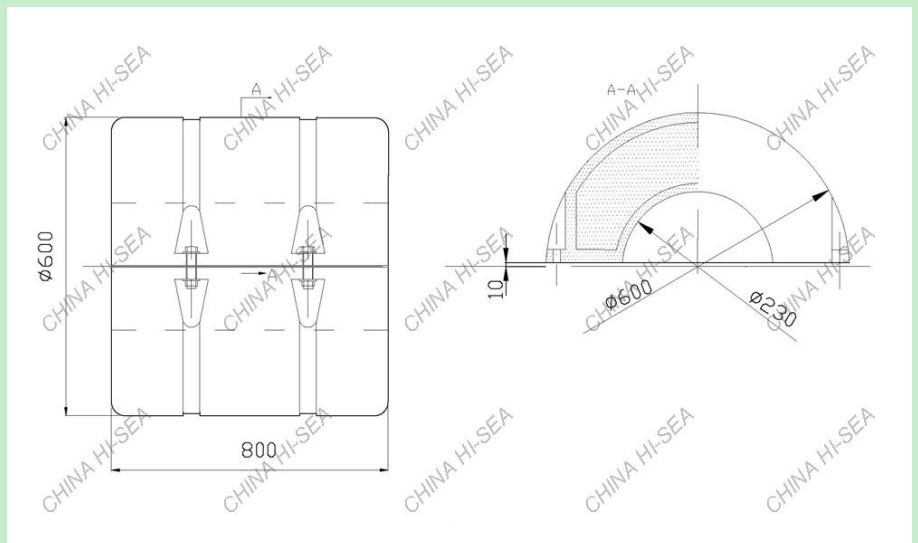
## Φ600 Polythene Floater



### Technical Specifications

Floater ID(mm)	Floater OD(mm)	Floater Length (mm)	Wall Thickness(mm)	Net Buoyancy(kg)	Weight (kg)
230	600	800	7	200	16

**Polythene float** shell is polythene, filling in polymer foam body. As the floating bodies of discharge hoses on the water, it has the advantage of high float load capacity, shock resistance, ageing resistance and so on. It is the ideal substitute products of traditional float pontoon.



Φ600 Polythene Floater drawing

**Chongqing Hi-Sea Marine Equipment Import&Export Co.,Ltd.**

**Address:** 20-5,General Chamber of Commerce Building, No.2 Hongjin Street, Yubei District, Chongqing, China

**Email:** machine@hiseamarine.com mitang0708@foxmail.com **Skype:** cncqtang **QQ:** 2278612160

**TEL:** +86-23-67032301 **FAX:** +86-23-67955123 **Mobile:** +86-18108354610 **Post Code:**401147

**Website:** www.hiseamarine.com www.chinahisea.com