

20bar Dredge Ball Joints

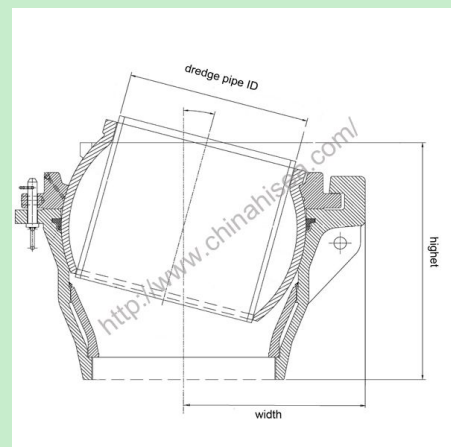


Technical Specifications

15 Degrees tilting angle		20 Bar		
Pipe ID mm	Ball joint ID mm	Height mm	Width mm	Weight kg
400	428	504	851	330
500	536	624	1,065	644
550	586	681	1,168	855
650	694	798	1,379	1,408
700	744	853	1,479	1,742
800	854	970	1,690	2,590

850	904	1,022	1,787	3,110
1,000	1,066	1,207	2,106	5,039
1,100	1,166	1,324	2,296	6,622
1,200	1,266	1,426	2,496	8,548

18 Degrees tilting angle		20 Bar		
Pipe ID mm	Ball joint ID mm	Height mm	Width mm	Weight kg
400	428	593	966	513
500	536	743	1,210	1,011
550	586	807	1,326	1,342
650	694	944	1,562	2,193
700	744	1,009	1,672	2,682
800	854	1,149	1,912	4,007
900	954	1,282	2,134	5,610
1,000	1,066	1,428	2,384	7,775
1,200	1,266	1,688	2,832	13,158



Chongqing Hi-Sea Marine Equipment Import&Export Co.,Ltd.

Address: 20-5,General Chamber of Commerce Building, No.2 Hongjin Street, Yubei District, Chongqing, China

Email: machine@hiseamarine.com mitang0708@foxmail.com **Skype:** cncqtang **QQ:** 2278612160

TEL: +86-23-67032301 **FAX:**+86-23-67955123 **Mobile:** +86-18108354610 **Post Code:**401147

Website: www.hiseamarine.com www.chinahisea.com