

## 10bar Dredge Ball Joints

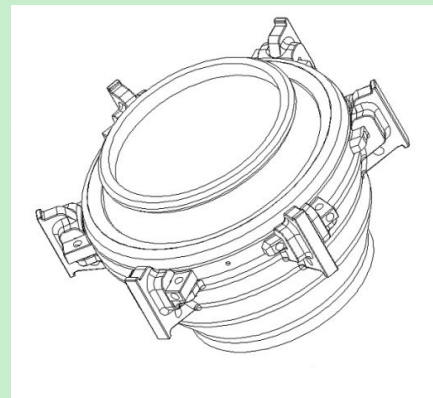


### Technical Specifications

15 Degrees tilting angle				
10 Bar				
Pipe ID (mm)	Ball joint ID (mm)	Height(mm)	Width (mm)	Weight (kg)
400	428	416	796	233
450	478	469	893	338
500	536	524	1,000	471
550	586	561	1,088	602
600	644	621	1,192	798
650	694	663	1,285	1,001
700	744	711	1,379	1,264
750	804	768	1,486	1,566
800	854	812	1,576	1,846
850	904	852	1,666	2,189

900	954	900	1,766	2,611
1,000	1,066	1,004	1,964	3,583
1,100	1,166	1,094	2,154	4,756
1,200	1,266	1,167	2,328	5,943

<b>18 Degrees tilting angle</b>				
10 Bar				
Pipe ID (mm)	Ball joint ID (mm)	Height (mm)	Width (mm)	Weight (kg)
400	428	500	892	353
450	478	557	998	495
500	536	616	1,112	677
550	586	677	1,218	913
600	644	732	1,330	1,168
650	694	786	1,432	1,463
700	744	849	1,542	1,849
750	804	913	1,660	2,316
800	854	973	1,768	2,782
850	904	1,021	1,870	3,274
900	954	1,076	1,974	3,839
1,000	1,066	1,200	2,200	5,319
1,100	1,166	1,303	2,406	7,026
1,200	1,266	1,405	2,612	8,944



**Chongqing Hi-Sea Marine Equipment Import&Export Co.,Ltd.**

**Address:** 20-5,General Chamber of Commerce Building, No.2 Hongjin Street, Yubei District, Chongqing, China

**Email:** machine@hiseamarine.com mitang0708@foxmail.com **Skype:** cncqtang **QQ:** 2278612160

**TEL:** +86-23-67032301 **FAX:**+86-23-67955123 **Mobile:** +86-18108354610 **Post Code:**401147

**Website:** www.hiseamarine.com www.chinahisea.com