

DN650 Dredge Ball Joints

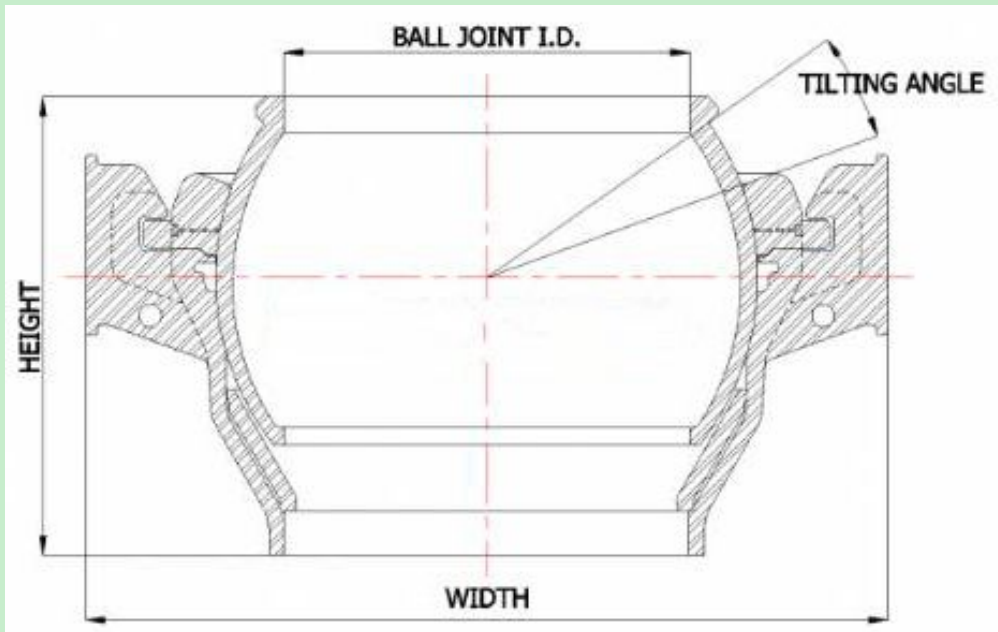


Dredge ball joint features:

1. Grease grooves provided in the gland
2. Stiffened dredge ball joint case lugs
3. Quick fix and release locking using a pin and chain connection
4. Pipe welded through ball
5. Maximum thickness provided at the neck of the ball joint

Technical Specifications

18 Degrees tilting angle										
		10 Bar			20 Bar			30 Bar		
Pipe ID mm	Ball joint ID mm	Height mm	Width mm	Weight kg	Height mm	Width mm	Weight kg	Height mm	Width mm	Weight kg
650	694	786	1,432	1,463	944	1,562	2,193	1,074	1,652	2,814



DN650 dredge ball joint drawing

15 Degrees tilting angle

		10 Bar			20 Bar			30 Bar		
Pipe ID mm	Ball joint ID mm	Height mm	Width mm	Weight kg	Height mm	Width mm	Weight kg	Height mm	Width mm	Weight kg
650	694	663	1,285	1,001	798	1,379	1,408	904	1,457	1,828

NOTE:We can provide customer with the best suitable solution and lowest cost , the dredge ball joints are designed in six different types, giving variations of tilting angle from 15 to 18 degrees and duties from 10 bar to 30 bar.

Chongqing Hi-Sea Marine Equipment Import&Export Co.,Ltd.

Address: 20-5,General Chamber of Commerce Building, No.2 Hongjin Street, Yubei District, Chongqing, China

Email: machine@hiseamarine.com mitang0708@foxmail.com **Skype:** cncqtang **QQ:** 2278612160

TEL: +86-23-67032301 **FAX:**+86-23-67955123 **Mobile:** +86-18108354610 **Post Code:**401147

Website: www.hiseamarine.com www.chinahisea.com