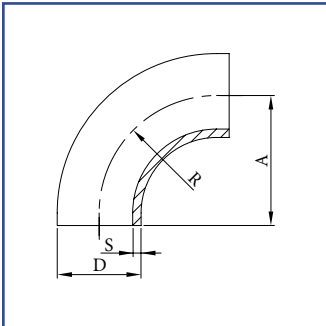


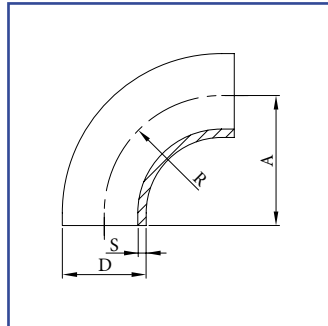
STAINLESS STEEL ELBOWS 90°

Elbow 90° DIN row 1
for welding
AISI 304/L, AISI 316/L



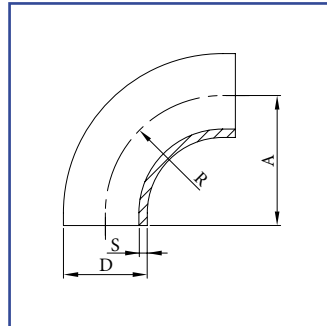
DN	D	S	A	R	kg
10	12,0	1,5	26,0	26,0	0,01
15	18,0	1,5	35,0	35,0	0,02
20	22,0	1,5	40,0	40,0	0,04
25	28,0	1,5	50,0	50,0	0,05
32	34,0	1,5	55,0	55,0	0,08
40	40,0	1,5	60,0	60,0	0,10
50	52,0	1,5	70,0	70,0	0,17
65	70,0	2,0	80,0	80,0	0,39
80	85,0	2,0	90,0	90,0	0,57
104	104,0	2,0	100,0	100,0	1,17
125	129,0	2,0	188,0	188,0	1,90
150	154,0	2,0	225,0	225,0	2,72
200	204,0	2,0	300,0	300,0	4,75

Elbow 90° DIN row 2
for welding
AISI 304/L, AISI 316/L



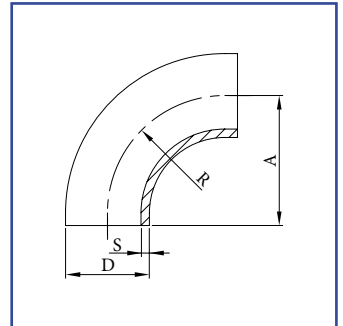
DN	D	S	A	R	kg
10	13,0	1,5	26,0	26,0	0,01
15	19,0	1,5	35,0	35,0	0,02
20	23,0	1,5	40,0	40,0	0,04
25	29,0	1,5	50,0	50,0	0,05
32	35,0	1,5	55,0	55,0	0,08
40	41,0	1,5	60,0	60,0	0,10
50	53,0	1,5	70,0	70,0	0,17

Elbow 90° SMS
for welding
AISI 304/L, AISI 316/L



DN	D	S	A	R	kg
25	25,4	1,5	38,0	38,0	0,05
38	38,1	1,5	57,0	57,0	0,12
51	50,8	1,5	76,0	76,0	0,20
63	63,5	1,5	95,0	95,0	0,32
76	76,2	1,65	114,0	114,0	0,51
101	101,6	2,0	110,0	110,0	0,81

Elbow 90° ISO
for welding
AISI 304/L, AISI 316/L



DN	D	S	A	R	kg
10	17,2	1,6 (2)	27,5	27,5	0,03
15	21,3	1,6 (2)	28,0	28,0	0,03
20	26,9	1,6 (2)	29,0	29,0	0,04
25	33,7	2,0	38,0	38,0	0,08
32	42,4	2,0	48,0	48,0	0,12
40	48,3	2,0	57,0	57,0	0,20
50	60,3	2,0	76,0	76,0	0,33
65	76,1	2,0	95,0	95,0	0,52
80	88,9	2,0	114,0	114,0	0,77
100	114,3	2,0	152,0	152,0	1,29
125	139,7	2,0	190,0	190,0	1,97
150	168,3	2,0	229,0	229,0	2,93
200	219,1	2,0	305,0	305,0	4,87