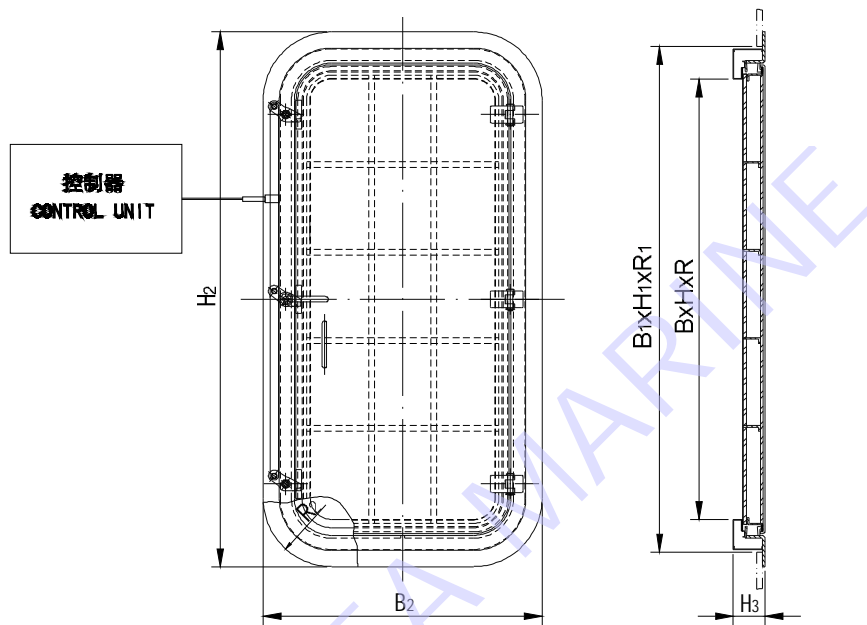


# 钢质防火水密气密门 ( A-60 )

## A-60 STEEL WATERTIGHT/GASTIGHT FIRE DOOR

可装于军用船舰和民用船舶集体防护与集体防护区或集体防护与外界的界面上。具有隔音好，外形美观，开闭轻便等优点。

USED ON THE INTERFACE BETWEEN COLLECTIVE PROTECTION AND CLLECTIVE PROTECTION AREA OR ON THE INTERFACE BETWEEN COLLECTION PROTECTION AND OUTSIDE FOR WARSHIP AND CIVIL SHIPS. IT IS LOW NOISE,GOOD APPEARANCE AND FLEXIBLE OPERATION.



通孔尺寸 SIZE OF CLEAR OPENING BxHxR	围壁开孔尺寸 OPENING SIZE OF WALL B <sub>1</sub> xH <sub>1</sub> xR <sub>1</sub>	最大外形尺寸 SIZE OF OUTSIDE B <sub>2</sub> xH <sub>2</sub> xR <sub>2</sub>	H <sub>3</sub>	重量 WEIGHT Kg
550x1550xR75	780x1780xR185	882x1882xR241	110	215.6
600x1550xR75	830x1780xR185	932x1882xR241		235.2
600x1600xR75	830x1830xR185	932x1932xR241		242.8
650x1550xR75	880x1780xR185	982x1882xR241		254.8
650x1650xR75	880x1880xR185	982x1982xR241		271.2
650x1700xR75	880x1930xR185	982x2032xR241		279.5
700x1650xR75	930x1880xR185	1032x1982xR241		292.1

### 标记示例

通孔尺寸为 650x1550，门框深为110mm，右开 A-60级钢质防火水密气密门

A-60级钢质防火防水密气密门 A-60 STEEL FIRE PROOF WATERTIGHT GASTIGHT DOOR

A-60 -650x1550-110R 262.6HS15-00