

# 快开闭钢质风雨密门

## QUICK OPENING & CLOSING STEEL WEATHERTIGHT DOOR

适用适用于机舱控制室等位于海船上层建筑出入口及陆上建筑，钻井平台、地下室等出入部位，能快速、轻便开闭，并符合1966年国际载重线公约。

USED FOR PASSAGEWAY IN SUPERSTRUCTURE, CONSTRUCTIONS ON LAND DRILLING PLATFORM AND BASEMENT. IT CAN BE OPENED AND CLOSED QUICKLY AND LIGHTLY, IT SATISFIES THE REQUIREMENT OF INTERNATIONAL LOAD LINE CONVENTION 1966.

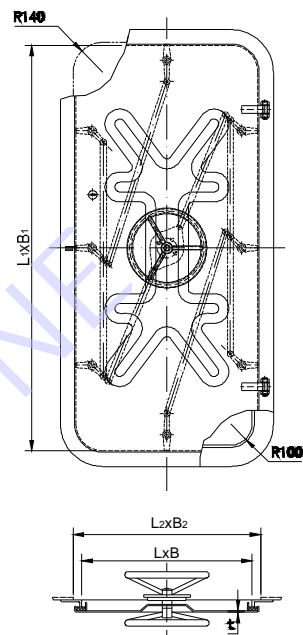
型式 TYPE	通孔尺寸 SIZE OF CLEAR OPENING LxB	门扇理论尺寸 (内边线) SIZE OF DOOR LEAF L <sub>1</sub> xB <sub>1</sub>	围板开孔尺寸 OPENING SIZE OF WALL L <sub>2</sub> xB <sub>2</sub>	门扇厚度 THICKNESS OF DOOR LEAF	重量 WEIGHT kg
A	1200×600	1245×645	1280×680 R140	6	124
	1200×600	1245×645	1280×680 R140	8	142
	1400×600	1445×645	1480×680 R140	6	133
	1400×600	1445×645	1480×680 R140	8	154
	1400×600	1445×645	1480×680 R140	9	165
	1400×700	1445×745	1480×780 R140	6	151
	1400×700	1445×745	1480×780 R140	8	177
	1400×700	1445×745	1480×780 R140	9	185
	1500×600	1545×645	1580×680 R140	6	142
	1500×600	1545×645	1580×680 R140	8	162
	1500×600	1545×645	1580×680 R140	9	172
	1500×700	1545×745	1580×780 R140	6	157
	1500×700	1545×745	1580×780 R140	8	187
	1500×700	1545×745	1580×780 R140	9	195
	1500×800	1545×845	1580×880 R140	6	167
	1500×800	1545×845	1580×880 R140	8	205
	1500×800	1545×845	1580×880 R140	9	221
	1600×600	1645×645	1680×680 R140	6	146
	1600×600	1645×645	1680×680 R140	8	173
	1600×600	1645×645	1680×680 R140	9	181
1600×700	1645×745	1680×780 R140	6	163	
1600×700	1645×745	1680×780 R140	8	194	
1600×700	1645×745	1680×780 R140	9	207	
1600×800	1645×845	1680×880 R140	6	274	
1600×800	1645×845	1680×880 R140	8	211	
1600×800	1645×845	1680×880 R140	9	238	
BC	1400×700	1445×745	1480×780 R140	6	161
	1400×700	1445×745	1480×780 R140	8	187
	1400×700	1445×745	1480×780 R140	9	195
	1500×700	1545×745	1580×780 R140	6	167
	1500×700	1545×745	1580×780 R140	8	197
	1500×700	1545×745	1580×780 R140	9	205
	1500×800	1545×845	1580×880 R140	6	177
	1500×800	1545×845	1580×880 R140	8	215
	1500×800	1545×845	1580×880 R140	9	231
	1600×700	1645×745	1680×780 R140	6	173
	1600×700	1645×745	1680×780 R140	8	204
	1600×700	1645×745	1680×780 R140	9	217
1600×800	1645×845	1680×880 R140	6	184	
1600×800	1645×845	1680×880 R140	8	221	
1600×800	1645×845	1680×880 R140	9	248	

### 标记示例

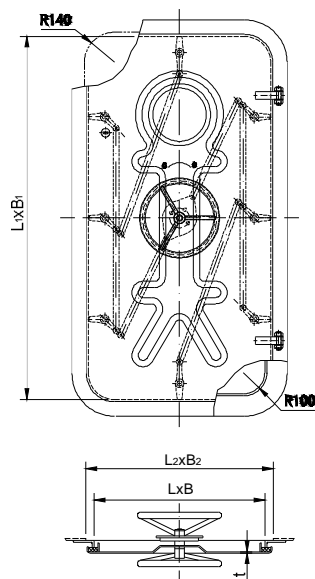
通孔尺寸为1600×800mm左开(L)BC型快开闭带固定圆窗风雨密钢质门

快开闭风雨密门QUICK OPENING & CLOSING WEATHERTIGHT DOOR

B C 1600×800L DB/3202Q22-88



A型-快开闭风雨密钢质门  
TYPE A-QUICK OPENING & CLOSING  
STEEL WEATHERTIGHT DOOR



BC型-快开闭固定圆窗风雨密钢质门  
TYPE B/C-QUICK OPENING & CLOSING STEEL  
WEATHERTIGHT DOOR WITH FIXED LIGHT