

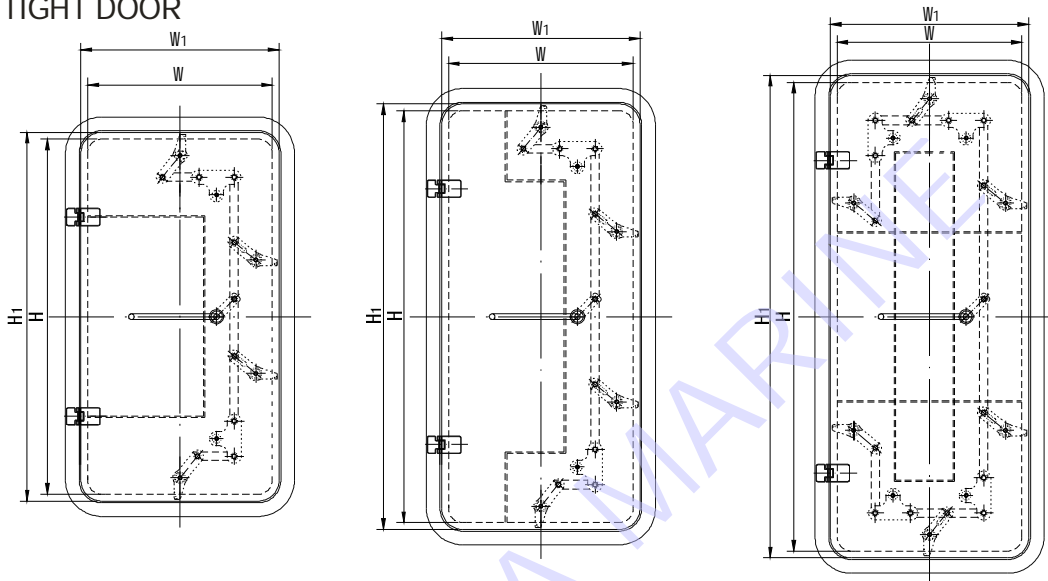
钢质平式快开闭风雨密门

STEEL QUICK OPENING & CLOSING STEEL WEATHER TIGHT DOOR

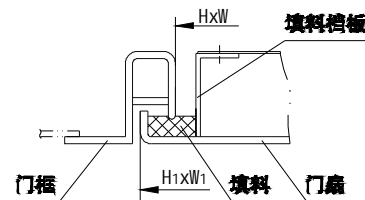
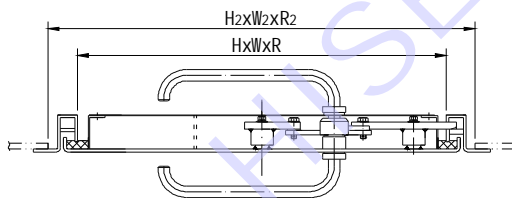
适用于舰船干舷甲板以上的上层建筑及甲板室入口使用的门，满足ISO6042-1980。具备隐身，隔音等功能。

USED FOR THE DOORWAY OF SUPERSTRUCTURE ABOVE FREEBOARD DECK OR DECK HOUSE. MEET THE REQUIREMENT IN ISO 6042-1980. IT HAS FUNCTIONS OF BODY HIDDEN AND SOUND PROOF ETC.

1. 钢质平式快开闭风雨密门 STEEL QUICK OPENING & CLOSING STEEL WEATHER-TIGHT DOOR



2. 节点型式 SECTION



3. 规格 SPECIFICATION

规格号 CODE OF SPECIFIC- ATION	通孔尺寸 SIZE OF CLEAR OPENING HxWxR	门扇外形尺寸 SIZE OF DOOR LEAF H1xW1xR1	围壁开口尺寸 OPENING SIZE OF WALL H2xW2xR2	门框深度 (F) DOOR FRAME DEPTH	重量 (Kg) WEIGHT
1050	1000x500xR50	1050x550xR75	1100x600xR100	67	102.1
1260	1200x600xR50	1250x650xR75	1300x700xR100		123.3
1460	1400x600xR50	1450x650xR75	1500x700xR100		136.1
1475	1400x750xR50	1450x800xR75	1500x850xR100		153
1490	1400x900xR50	1450x950xR75	1500x1000xR100		168.9
1660	1600x600xR50	1650x650xR75	1700x700xR100		148.5
1675	1600x750xR50	1650x800xR75	1700x850xR100		166.7
1690	1600x900xR50	1650x950xR75	1700x1000xR100		184.9

标记示例

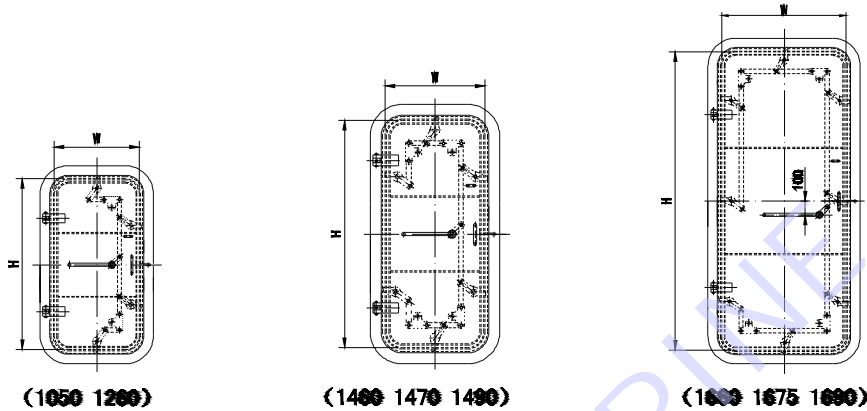
通孔尺寸为1600x600 门扇厚度5mm
 右外开式，钢质平式快开闭风雨密门
 钢质平式快开闭风雨密门
 STEEL QUICK OPENING & CLOS-
 ING WEATHER TIGHT DOOR
 1600x600-5 RO 262.9HS28-00

钢质快开闭风雨密门

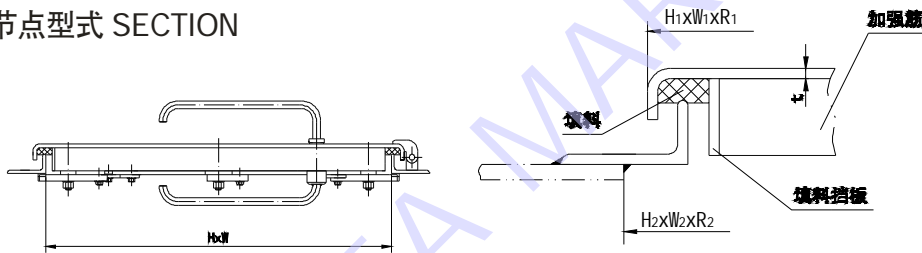
STEEL QUICK OPENING&CLOSING WEATHER TIGHT DOOR

适用于船舶干舷甲板以上的上层建筑及甲板室出入口使用的门，满足ISO6042-1980
 USED FOR THE DOORWAY OF SUPERSTRUCTURE ABOVE FREEBOARD DECK OR DECK HOUSE. MEET THE REQUIREMENT IN ISO 6042-1980.

1. 钢质快开闭风雨密门 (STEEL QUICK OPENING & CLOSING WEATHER TIGHT DOOR)



2. 节点型式 SECTION



3. 规格 SPECIFICATION

规格号 CODE OF SPECIFICATION	通孔尺寸 SIZE OF CLEAR OPENING HxWxR	门扇外形尺寸 SIZE OF DOOR LEAF H1xW1xR1	围壁开口尺寸 SIZE OF OPENING OF WALL H2xW2xR2	门扇厚度 THICK OF DOOR LEAF t	门框材料 MATERIAL OF DOOR FRAME	重量 WEIGHT (kg)
1050	1000x500xR100	1060x560xR130	1100x600xR150	6	L100x63x8 割制	92.3
		1066x566xR130		8	L100x63x10 割制	103.8
1260	1200x600xR100	1260x660xR130	1300x700xR150	6	L100x63x8 割制	113.4
		1266x666xR130		8	L100x63x10 割制	129
1460	1400x600xR100	1460x660xR130	1500x700xR150	6	L100x63x8 割制	128.6
		1466x666xR130		8	L100x63x10 割制	146.7
1475	1400x750xR100	1460x810xR130	1500x850xR150	6	L100x63x8 割制	144.4
		1466x816xR130		8	L100x63x10 割制	165.9
1490	1400x900xR100	1460x960xR130	1500x1000xR150	6	L100x63x8 割制	160.1
		1466x966xR130		8	L100x63x10 割制	185.2
1660	1600x600xR100	1660x660xR130	1700x700xR150	6	L100x63x8 割制	136.9
		1666x666xR130		8	L100x63x10 割制	154.8
1675	1600x750xR100	1660x810xR130	1700x850xR150	6	L100x63x8 割制	161.4
		1666x816xR130		8	L100x63x10 割制	185.7
1690	1600x900xR100	1660x960xR130	1700x1000xR150	6	L100x63x8 割制	178
		1666x966xR130		8	L100x63x10 割制	206.4

标记示例

通孔尺寸为1600x600门扇厚度为8mm，加强筋50x8mm，右外开式，钢质快开闭水密门：

钢质快开闭风雨密门 STEEL QUICK OPENING&CLOSING WEATHER TIGHT DOOR

1600x600-8-50x8 RO 262.HS/WL-100

钢质轻型快开闭平式耐压水密门

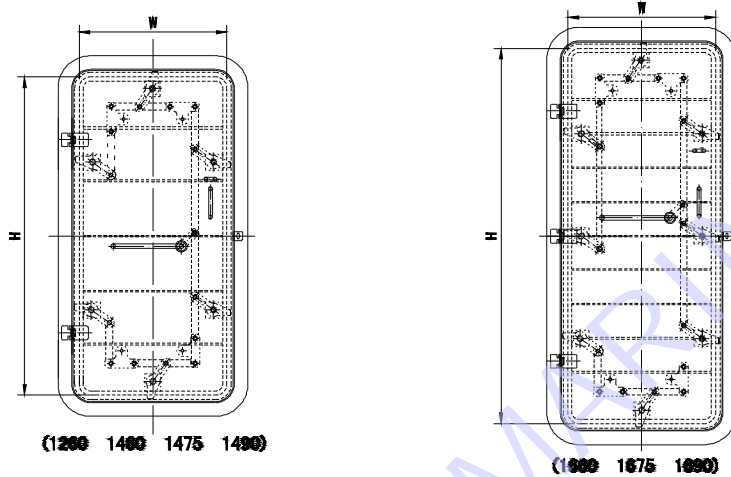
QUICK OPENING & CLOSING WATERTIGHT DOOR

适用于舰船干舷甲板以上的上层建筑及甲板室入口使用的门，满足ISO6042-1980该产品具有操作轻便，快捷，可承受内压0.1MPa的水压。

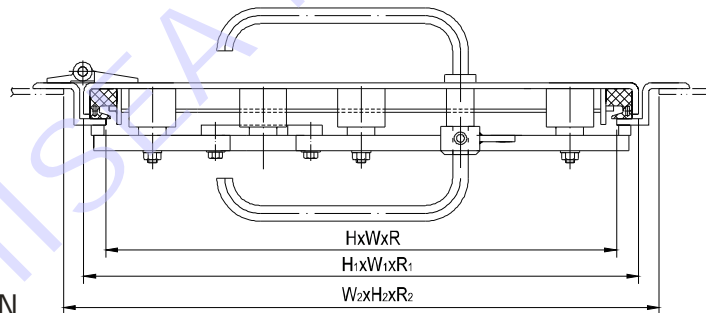
USED FOR THE DOORWAY OF SUPERSTRUCTURE ABOVE FREEBOARD DECK OR DECK HOUSE. MEET THE REQUIREMENT IN ISO 6024-1980. THE ADVANTAGES OF THE DOOR ARE EASY AND NIMBLE OPERATION, WITHSTANDING INNER PRESSER OF 0.1MPa.

1. 钢质轻型快开闭平式耐压水密门

(QUICK OPENING & CLOSING PRESSURE WATERTIGHT FLUSH DOOR)



2. 节点型式 SECTION



3. 规格 SPECIFICATION

规格号 CODE OF SPECIFICATION	通孔尺寸 SIZE OF CLEAR OPENING HxWxR	门扇外形尺寸 SIZE OF DOOR LEAF H ₁ xW ₁ xR ₁	围壁开口尺寸 OF WALL W ₂ xH ₂ xR ₂	重量 (kg) WEIGHT
1260	1200x600xR50	1256x656xR78	1300x700xR100	99.5
1460	1400x600xR50	1456x656xR78	1500x700xR100	106.1
1475	1400x750xR50	1456x806xR78	1500x850xR100	122.0
1490	1400x900xR50	1456x956xR78	1500x1000xR100	133.4
1660	1600x600xR50	1656x656xR78	1700x700xR100	126.7
1675	1600x750xR50	1656x806xR78	1700x850xR100	141.1
1690	1600x900xR50	1656x956xR78	1700x1000xR100	155.5

标记示例

通孔尺寸为1650x650 门扇厚度 4mm，加强筋 45x4mm，右外开式，钢质轻型快开闭平式耐压水密门：

QUICK OPENING & CLOSING WATER-TIGHT DOOR

1650x650-4-45x4 RO 262.9HS24-00

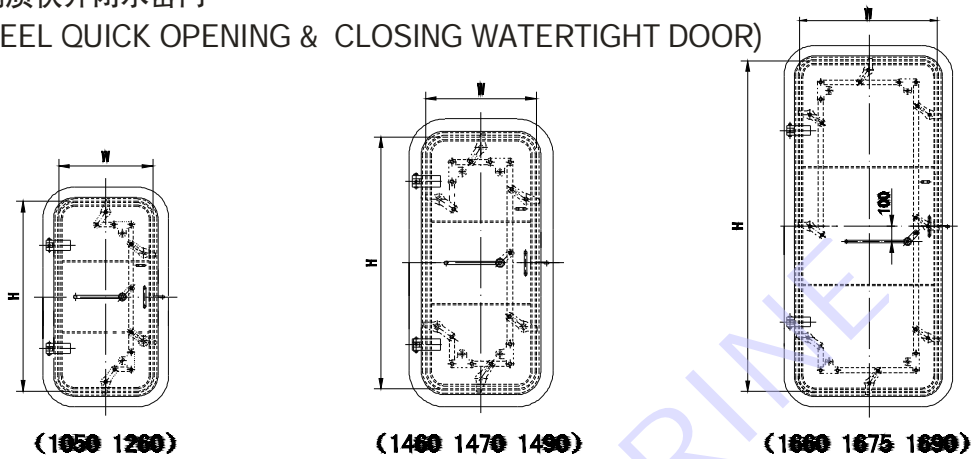
钢质快开闭水密门

STEEL QUICK OPENING&CLOSING WATERTIGHT DOOR

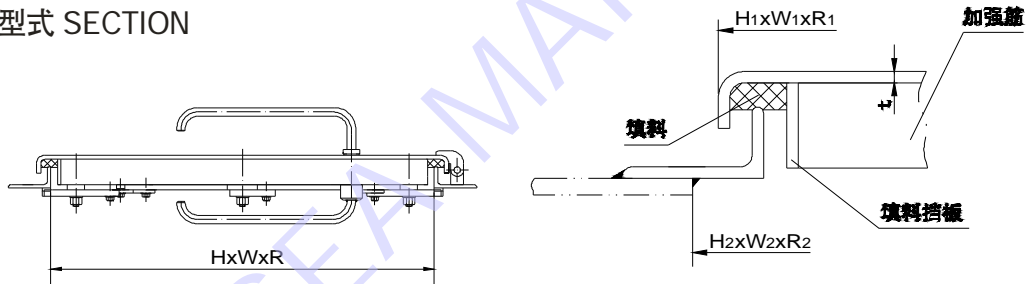
适用于船舶干舷甲板以上的上层建筑及甲板室出入口使用的门，满足ISO604-1980
 USED FOR THE DOORWAY OF SUPERSTRUCTURE ABOVE FREEBOARD DECK OR DECK HOUSE MEET THE REQUIREMENT IN ISO 6042-1980.

1.钢质快开闭水密门

(STEEL QUICK OPENING & CLOSING WATERTIGHT DOOR)



2.节点型式 SECTION



3.规格 SPECIFICATION

规格号 CODE OF SPECIFICATION	通孔尺寸 SIZE OF CLEAR OPENING HxWxR	门扇外形尺寸 SIZE OF DOOR LEAF H1xW1xR1	围壁开口尺寸 OPENING SIZE OF WALL H2xW2xR2	门扇厚度 THICK OF DOOR LEAF (t)	门框厚度 THICK OF DOOR FRAME	重量 WEIGHT (kg)
1050	1000x500xR100	1070x570xR135	1100x600xR150	10	10	137.5
1260	1200x600xR100	1270x670xR135	1300x700xR150	10	10	171.2
1460	1400x600xR100	1470x670xR135	1500x700xR150	10	10	191
1475	1400x750xR100	1470x820xR135	1500x850xR150	10	10	233.5
1490	1400x900xR100	1470x970xR135	1500x1000xR150	10	10	210.3
1660	1600x600xR100	1670x670xR135	1700x700xR150	10	10	212.8
1675	1600x750xR100	1670x820xR135	1700x850xR150	10	10	236.8
1690	1600x900xR100	1670x970xR135	1700x850xR150	10	10	264.1

标记示例

通孔尺寸为1600x600 门扇厚度为10mm，加强筋60x10mm，右外开式，钢质快开闭水密门：

钢质快开闭水密门 STEEL QUICK OPENING & CLOSING WATERTIGHT DOOR

1600x600-10-50x10 RO 262. HS/WL-200