

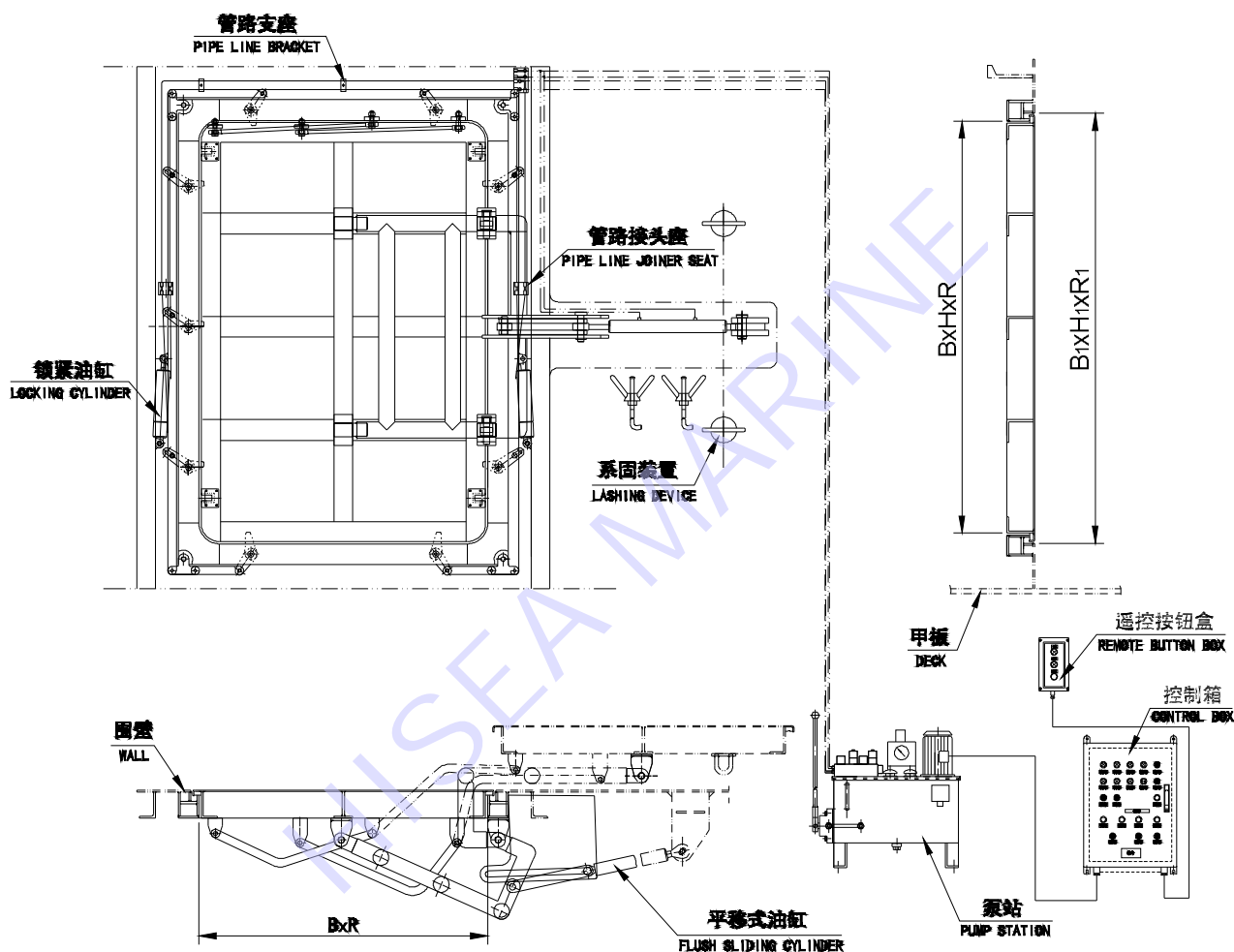
液 压 平 移 式 波 门

HYDRAULIC HORIZONTAL SLIDING DOOR

适用于舰船舷侧布置。平移并传动，电动液压驱动。

USED FOR WARSHIP BROADSIDE. HORIZONTAL SLIDING WITH ELECTROMOTION HYDRAULIC DIRIVING.

1. 结构型式 TYPE



2. 门的规格 SPECIFICATION OF DOOR

通孔尺寸 SIZE OF CLEAR OPENING		围壁开口尺寸 OPENING SIZE OF WALL	
B x H	R	B ₁ xH ₁	R ₁
1400x1900	100	1470x1970	135

标记示例

通孔尺寸为1400x1900mm，左移(L)的液压平移式波门

LEFT SLIDING HYDRAULIC DOOR: THE SIZE OF CLEAR OPENING 1400 × 1900mm

L1400 × 1900 262.11HS18-00