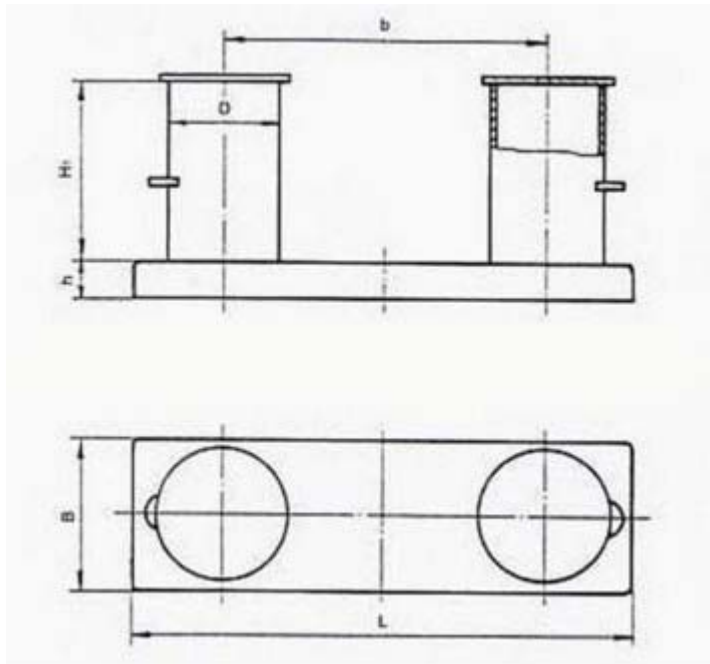


VIS1 Double Bollards:

1. Bollard pull from 100T up to 600T .
 2. Marine bollards are used in various shipyards, docks and marine applications all over the America and Europe seaboard.
 3. Usually paint them according to customer's requirements
- Our products with good quality, prompt delivery and competitive prices.
We can customize the goods according to your drawing.
4. size:



Double Bollards								
Nominal Dia. (mm)	D	H1	b	B	L	h	Max. B. L. of Rope Ton	Mass(kg)
100	114	150	250	165	445	50	3	19
125	130	190	315	195	540	60	4	29
160	165	250	400	225	670	70	5	45
200	216	300	500	290	860	85	8	80
250	267	380	630	360	1065	100	12	139
315	318	480	800	430	1300	125	20	261
355	355	530	890	480	1475	145	26	361
400	406	600	1000	550	1630	160	32	502
450	457	680	1130	620	1840	170	39	685
500	508	750	1250	690	2040	190	46	911
560	558	830	1380	750	2240	210	56	1208
630	609	940	1570	820	2510	225	70	1600
710	711	1060	1750	960	2840	260	82	2252
800	812	1200	2000	1100	3240	295	100	3071

5.Photo

