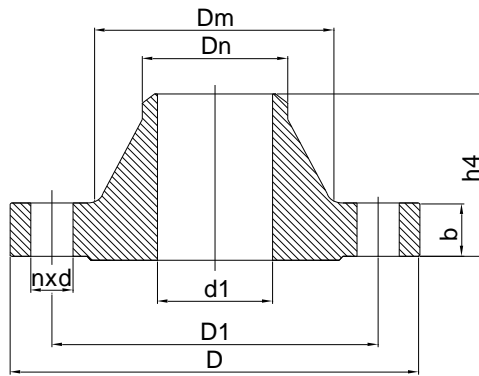


FLANGE DIMENSIONS ACCORDING TO GOST 12821-80
РАЗМЕРЫ ФЛАНЦА СОГЛАСНО ГОСТ 12821-80

PN6



Welding neck(WN)/Фланец приварной встык

| DN | D | D1 | d1 | b | h4 | Dm | Dn | n | d | Kg/Kr | | Bolts/Болты | |
|------|------|------|------|----|-----|------|------|----|----|--------|----|-------------|--|
| | | | | | | | | | | WN | N. | dp | |
| 10 | 75 | 50 | 8 | 10 | 27 | 22 | 15 | 4 | 11 | 0,34 | 4 | M10 | |
| 15 | 80 | 55 | 12 | | 28 | 28 | 19 | | | 0,4 | | | |
| 20 | 90 | 65 | 18 | | 30 | 36 | 26 | | | 0,53 | | | |
| 25 | 100 | 75 | 25 | | 33 | 42 | 33 | | | 0,77 | | | |
| 32 | 120 | 90 | 31 | 12 | 33 | 50 | 39 | 4 | 14 | 1,1 | 4 | M12 | |
| 40 | 130 | 100 | 38 | | 35 | 60 | 46 | | | 1,37 | | | |
| 50 | 140 | 110 | 49 | | 35 | 70 | 58 | | | 1,53 | | | |
| 65 | 160 | 130 | 66 | | 35 | 88 | 77 | | | 2,06 | | | |
| 80 | 185 | 150 | 78 | 13 | 37 | 102 | 90 | 4 | 18 | 2,8 | 4 | M16 | |
| 100 | 205 | 170 | 96 | | 38 | 122 | 110 | | | 3,35 | | | |
| 125 | 235 | 200 | 121 | 15 | 40 | 148 | 135 | 8 | 18 | 4,66 | 8 | M16 | |
| 150 | 260 | 225 | 146 | | 43 | 172 | 161 | | | 5,85 | | | |
| 175 | 290 | 255 | 177 | 17 | 47 | 210 | 196 | 8 | 18 | 8,1 | 8 | M16 | |
| 200 | 315 | 280 | 202 | | 235 | 222 | 9,35 | | | | | | |
| 225 | 340 | 305 | 226 | 18 | 50 | 260 | 248 | 12 | 22 | 9,45 | 12 | M20 | |
| 250 | 370 | 335 | 254 | | | 288 | 278 | | | 12,2 | | | |
| 300 | 435 | 395 | 303 | | | 340 | 330 | | | 14,82 | | | |
| 350 | 485 | 445 | 351 | | | 390 | 382 | | | 18,69 | | | |
| 400 | 535 | 495 | 398 | 18 | 50 | 440 | 432 | 16 | 22 | 20,55 | 16 | M20 | |
| 450 | 590 | 550 | 450 | | | 494 | 484 | | | 23,63 | | | |
| 500 | 640 | 600 | 501 | 19 | 55 | 545 | 535 | 20 | 26 | 29,1 | 20 | M24 | |
| 600 | 755 | 705 | 602 | | | 650 | 636 | | | 37,49 | | | |
| 700 | 860 | 810 | 692 | | | 740 | 726 | | | 44,31 | | | |
| 800 | 975 | 920 | 792 | | | 844 | 826 | | | 56,17 | | | |
| 900 | 1075 | 1020 | 892 | 21 | 60 | 944 | 926 | 24 | 30 | 66,79 | 24 | M27 | |
| 1000 | 1175 | 1120 | 992 | | | 1044 | 1028 | | | 73,51 | | | |
| 1200 | 1400 | 1340 | 1192 | 23 | 70 | 1248 | 1228 | 32 | 33 | 111,43 | 32 | M30 | |
| 1400 | 1620 | 1560 | 1392 | | | 85 | 1456 | | | 1428 | | | |
| 1600 | 1820 | 1760 | 1592 | 32 | 95 | 1660 | 1628 | 40 | 33 | 218,57 | 40 | M30 | |