

Underwater Dredging Grab



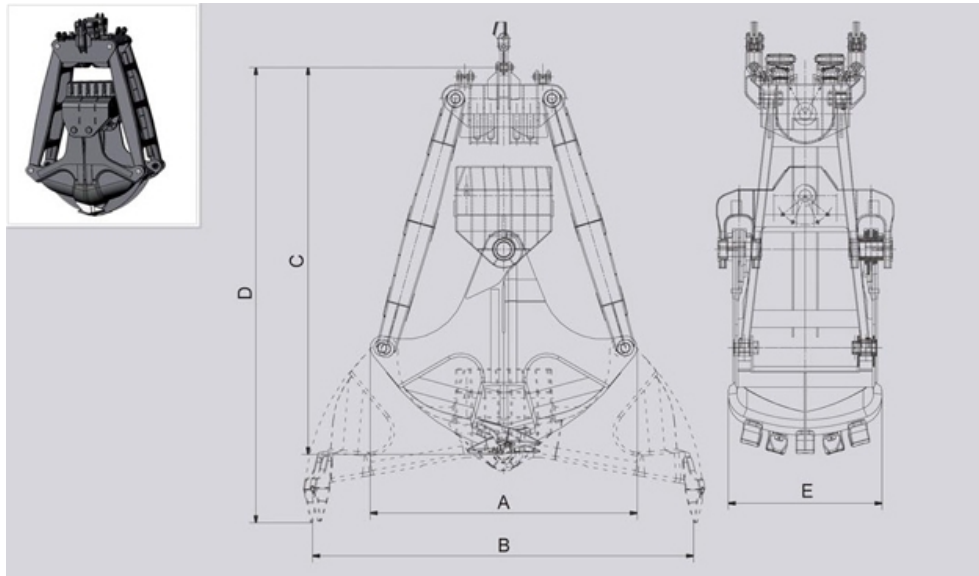
Underwater dredging grab is a kind of efficient tool for loading and dredging silt, scree, sand, which is suitable to the crane with two drums or four drums used on the working site such as sea or river route, port, wharf.

Features and Performance

- 1.The structure is simple,
- 2.The operation is easy,
- 3.The quality is sturdy and durable.

The lifting capacity of crane is normally 6t~110t. At present the domestic biggest underwater dredging grab is developed independently by our company.

Underwater Dredging Grab Drawing



Technical Specifications

Type&Size	Grab Volume (m ³)	Weight (t)	Dimensions(mm)					Diameter of Sheave (mm)	Multiplication Rate of the hoister Sling	Crane Lifting Capacity (t)
			A	B	C	D	E			
BS6SJ(1.0)4A	1.0(0°)	4.0	2380	3458	3533	4083	1320	560	5	6
BS12SJ(1.5)6.5A	1.5(0°)	6.5	3020	4039	3772	4532	1500	560	5	12
BS20SJ(5.0)8A	5.0(30°)	8.0	3260	5042	4502	5280	1820	650	4	20

BS30SJ(5.0)13 B	5.0(15°)	13	3740	5450	4942	5916	2012	800	5	30
BS55SJ(5.5)35 B	5.5(0°)	35	3960	5812	5614	6565	2150	880	6	55
CS45SJ(4.0)25 AV	4.0 (25°)	25	3840	5657	5748	6715	1950	880	6	45
CS46SJ(5.0)36 BV	5.0 (25°)	36	3600	5947	6164	7125	1940	880	6	45
CS45SJ(8.0)28 AV	8.0 (25°)	28	4040	6632	6494	7364	2102	880	6	45
CS55SJ(5.0)32 B	5.0(25°)	32	3960	5734	7194	8167	1940	880	5	55
CS70SJ(16)48 AV	16(25°)	48	5130	7712	7415	8724	2954	1045	6	70
CS80SJ(8.0)60 AV	8.0(25°)	60	4130	6695	7189	7753	2530	1045	7	80
CS80SJ(11)55 BV	11(25°)	55	5120	7780	7553	8924	2420	1045	7	55
CS200SJ(9.0)1 10BV	9.0(25°)	110	5465	7202	8666	1026 4	3000	1500	7	110

NOTE: We can design and produce the grab according to user's requirements.



Underwater Dredging Grab Working picture

Chongqing Hi-Sea Marine Equipment Import&Export Co.,Ltd.

Address: 20-5,General Chamber of Commerce Building, No.2 Hongjin Street, Yubei District, Chongqing, China

Email: machine@hiseamarine.com mitang0708@foxmail.com **Skype:** cncqtang **QQ:** 2278612160

TEL: +86-23-67032301 **FAX:**+86-23-67955123 **Mobile:** +86-18108354610 **Post Code:**401147

Website: www.hiseamarine.com www.chinahisea.com