

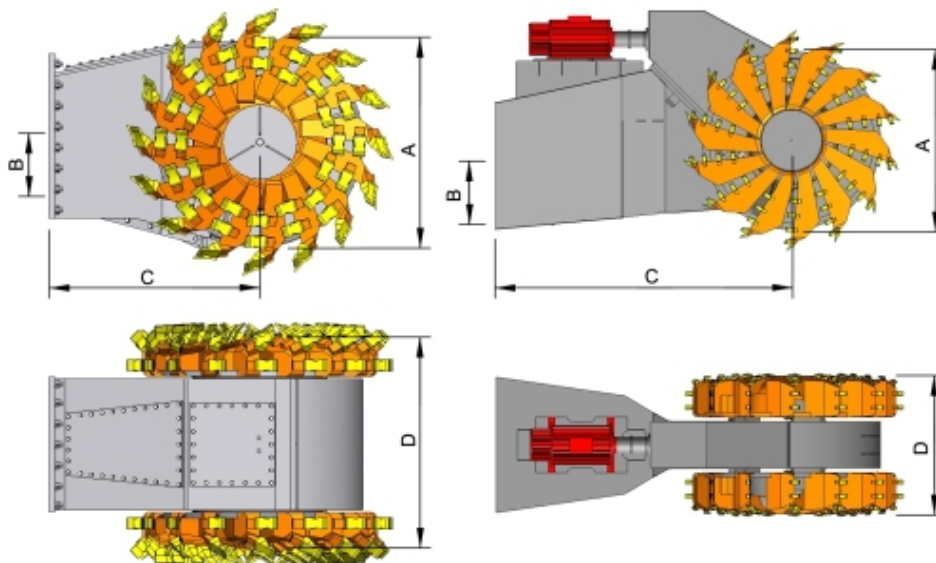
Dredging Cutting Wheel

Dredging Cutting Wheels Features:

The standard range of Dredging Cutting Wheels is divided into a hydraulic line and an electric line. The selection of the right cutting wheel for the required dredging task is dependent on various factors, such as:

1. Mechanical and chemical properties of the soil to be dredged
2. Available torque and speed of the cutting wheel
3. Kinematics and shape of the cutting tool
4. Kinematics of the dredger (side winch force and speed, spud position, spud feed, dredging depth, etc.)

NOTE: Please contact us if you require support with the selection of the Dredging Cutting Wheels.



Technical specifications

Hydraulic line:

A [mm]	B [mm]	C [mm]	D [mm]	Nominal power at wheel [kW]	Maximum revolution [rpm]	Effective soil output [m ³ /h]	Weight [kg]
Ø 800	150-250	850	1000	30-50	30	180	2.700
Ø 1250	250-300	1050	1130	65-110	26	220	3.500
Ø 1800	300-450	1620	1590	120-150	22	440	7.000

Ø 2500	400-650	2045	2300	230-350	20	1000	20.000
Ø 3350	600-850	2800	3000	400-500	16	2100	40.000
All sizes are approximate. Other types available on request.							

Electric line:

Type	A [mm]	B [mm]	C [mm]	D [mm]	Nominal power at wheel [kW]	Maximum revolution [rpm]	Effective soil output [m³/h]	Weight [kg]
UCW 400	Ø 4000	600-850	4900	2800	500-750	13,5	2400	80.000
UCW 450	Ø 4500	800-1000	5800	3200	750-1000	13,0	3000	98.000
UCW 520	Ø 5200	850-1000	6000	4000	1000-1500	10,0	3900	186.000
UCW 600	Ø 6000	900-1200	6500	4500	1500-2000	7,0	5200	198.000
All sizes are approximate. Other types available on request.								



Chongqing Hi-Sea Marine Equipment Import&Export Co.,Ltd.

Address: 20-5,General Chamber of Commerce Building, No.2 Hongjin Street, Yubei District, Chongqing, China

Email: machine@hiseamarine.com mitang0708@foxmail.com **Skype:** cncqtang **QQ:** 2278612160

TEL: +86-23-67032301 **FAX:**+86-23-67955123 **Mobile:** +86-18108354610 **Post Code:**401147

Website: www.hiseamarine.com www.chinahisea.com